

### ROBUST AND EFFICIENT

The Warzée DE450R unroller, featuring a fully enclosed casing, is designed to unroll round bales of hay, straw, and silage weighing up to 1200 kg. The spike-bed system allows for easy loading of the bale into the casing and seamlessly activates the unrolling process. The automatic coupling between the spike-bed and the unroller casing requires no manual connection, ensuring a quick and hassle-free operation.

#### INTEGRATED EXTENSION PLATE

The extension plate helps to hold the bale and material securely within the casing.

2 Distribution sides

+ Front distribution (optional)

Full casing

Round bales

No electrical function

#### INTEGRATED BOTTOM PLATE

The bottom plate prevents any material loss.

#### AUTOMATIC HITCHING

The connection between the two elements is established through a 100% automatic mechanical hitching system.

A single loader is enough to both load and drive the unroller, eliminating the need for two vehicles.

1 Load the bale onto the unroller

2 Hitch the unroller with the bale spike

3 Distribute any type of bale







Two hitching sides for left and/or right distribution.



Equipped with a third side, the unroller can also distribute forward.



Suitable for all round bales, including low-quality ones.

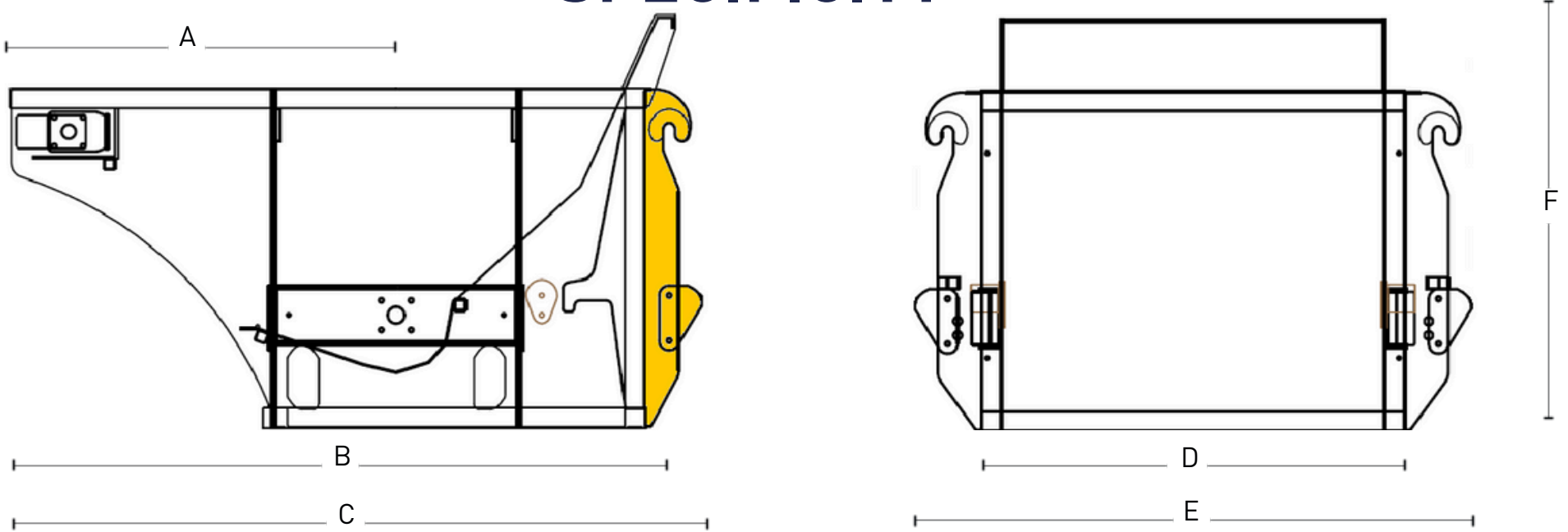
## OPTION



### THIRD SIDE / FRONT DISTRIBUTION

A third hitching side can be added to the machine. With this option, front distribution is possible in addition to the two standard sides.

## SPECIFICITY



## DIMENSIONS

A	1350 mm
B	2330 mm
C	2480 mm
D	1450 mm
E	1950 mm
F	1520mm

## WEIGHT

(including the pick-up tines)

DE450R	1000 kg
3rd side	1100 kg

## FEATURES

Min. 30 L/min.  
Max. 170 bar



## LOADERS

Front loader, telescopic loader

## BALES

- ✓ Round bales
- ✓ Hay, wrapped, straw
- ✓ Up to 180 cm
- ✓ Up to 1.200 kg

## OUR LIVESTOCK RANGE

