

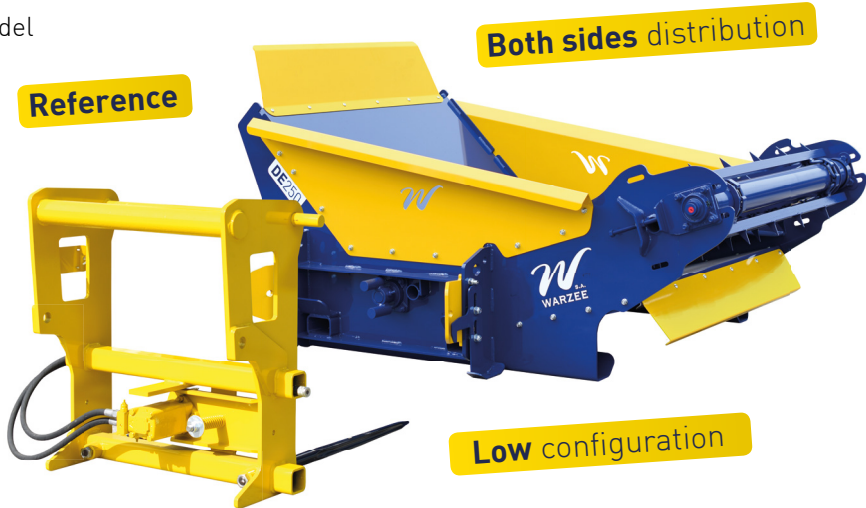
LOAD, HITCH UP, UNROLL!

The Warzée DE250 bale unroller is a strong compact model that is capable of unrolling bales of up to 800 kg quickly.

Our bale unrollers are designed to be simple and fast: the bale spikes and back frame is used to pick up the bale and put it onto the distribution frame. The bale unroller is then hitched up using the same bale spikes and back frame.

AUTOMATIC HITCHING

Coupling the two components is carried out thanks to a mechanical hitching system that is 100% automatic. A single loader is sufficient for both loading and driving the unroller, eliminating the need for two loaders.



Suitable for any kind of materials handler or front-end loader.

- 1 Pick up and Load** the bale onto the unroller
- 2 Hitch** the unroller with the same bale spike
- 3 Feed and bed** with any round bale



One or two sides for distribution on the left and/or the right hand side.



The unroller will take any type of straw, hay or silage bale.

Spreader kit
100% mechanical



NEW ! SPREADER KIT OPTION

A straw spreader kit can be fitted to all of our bale rollers. The rotor is mechanically driven and does not require any supplementary connection.

In the highest position, the roller distributes straw, hay and baled silage. In the lower straw spreading position, the rotor can spread straw up to 8 meters.



OPTIONS



BOTH SIDES DISTRIBUTION (2ND SIDE)

A second side enables distribution to be carried out from both the left and right-hand sides.

The automatic hitch enables the change from one side to the other.



EXTENSION PLATE

The extension enables the hay and straw being handled to be held in the chamber.

It is strongly advised for bales of more than 1.30 m in diameter, the extension stops the material from being lost.



STRAW SPREADER KIT

The mechanical spreader kit is fitted to the side of the spreader.

It is raised and lowered manually in order to alternate between unrolling and spreading rapidly.



BOTTOM PLATE

The floor is to be found under the conveyor belt.

It enables all of the material to be kept in the unroller and eliminates any losses.



SIDE PLATES

The sides can be put on both sides of the unroller.

They enable the bale to be kept in the unroller's chamber and likewise eliminate any losses.

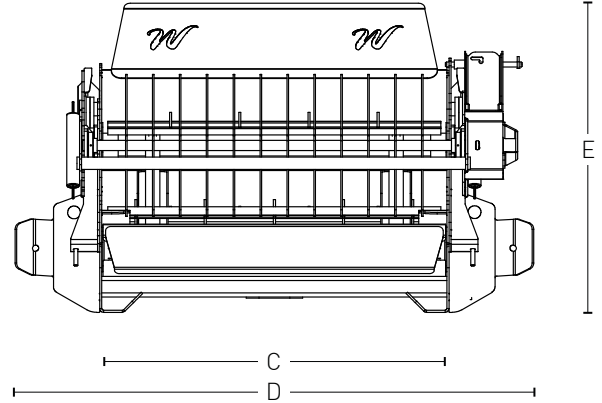
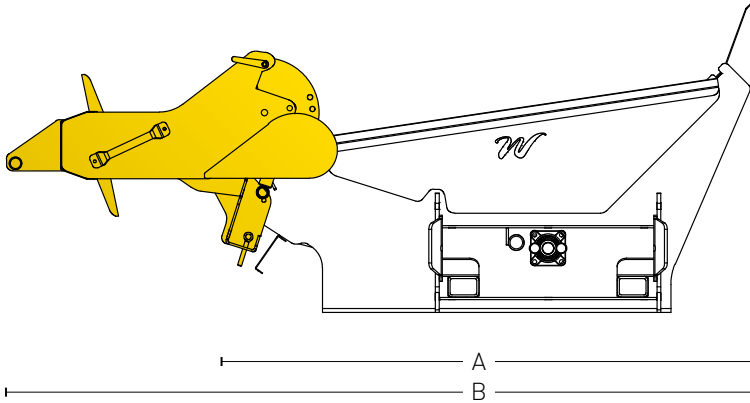


MECHANICAL DEFLECTOR

The mechanical deflector is placed on the straw spreader kit.

Manually adjustable, it allows to control the angle and distance of straw spreading.

SPECIFICATIONS



WEIGHT (including bale spike)

DE250	625 kg
2 nd side + plates	100 kg
Spreader kit	150 kg

DIMENSIONS

A	2200 mm
B	2900 mm
C	1300 mm
D	1950 mm
E	1300 mm

BALES

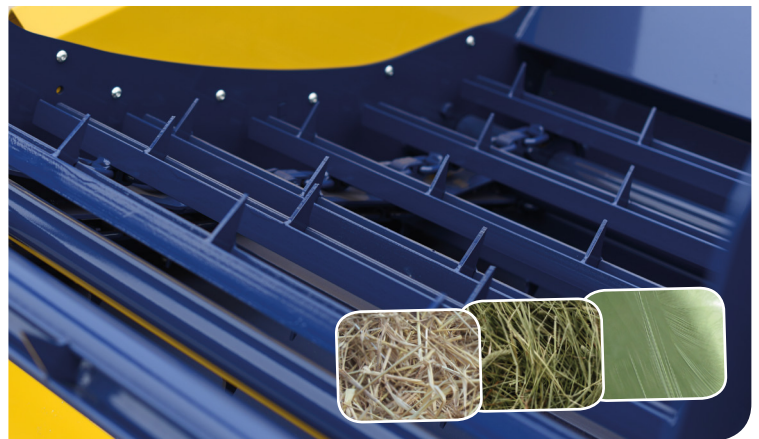
- ✓ Round
- ✓ Hay, silage, straw
- ✓ Up to 160 cm with extension
- ✓ Up to 800 kg

CHARACTERISTICS

Min. 30 L/min.
Max. 170 bar

HANDLERS

Front loaders, Telescopic handlers, 3-point hitching



OUR LIVESTOCK RANGE



Warzée SA
Tige de Buresse, 95
5360 Hamois (BELGIUM)

+32 (0) 83 61 23 93
info@warzee-sa.com
www.warzee-sa.com

