

THE BALE UNROLLER THAT IS SUITABLE FOR SMALL LOADERS

The **Warzée DE225 bale feeder** has been specially designed to suit **small loaders** and **farm handlers** (Schäffer, Weidemann, Giant, etc.).

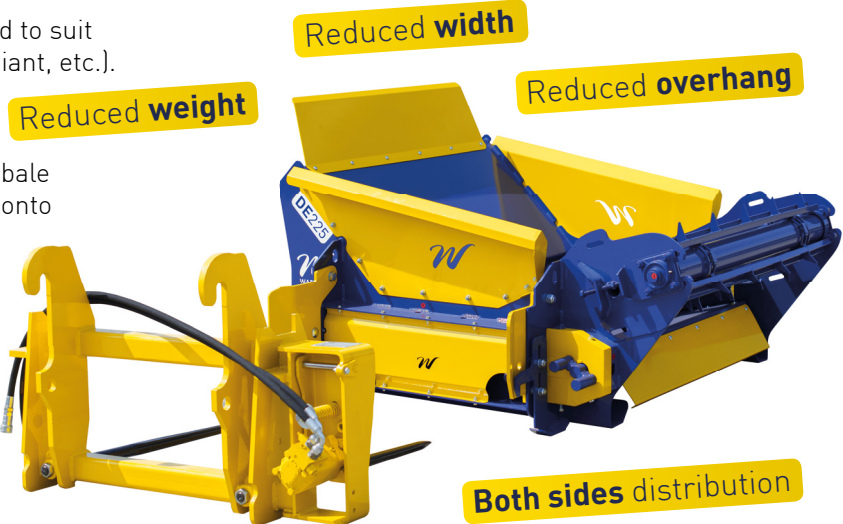
Despite its small size, it enables bales of straw, hay and silage of up to 800 kg to be unrolled.

Our bale unrollers are designed to be simple and fast : the bale spike and back frame is used to pick up the bale and put it onto the distribution frame. The bale unroller is then hitched up using the same bale spike and back frame.

AUTOMATIC HITCHING

Coupling the two components is carried out thanks to a mechanical hitching system that is 100% automatic.

A single loader is sufficient for both loading and driving the unroller, eliminating the need for two loaders.



The reduced overhang guarantees unequalled manoeuvrability.

- 1 **Pick up** and **Load** the bale onto the unroller
- 2 **Hitch** the unroller with the same bale spike
- 3 **Feed** and **bed** with any round bale



Ideal for unrolling bales of hay and wrapped silage.



The unroller is capable of handling round bales of up to 800 kg.



Spreader kit
100% mechanical

NEW ! STRAW SPREADER KIT OPTION

A straw spreader kit can be fitted to all of our bale rollers. The rotor is mechanically driven and does not require any supplementary connection.

In the highest position, the roller distributes straw, hay and baled silage. In the lower straw spreading position, the rotor can spread straw up to 8 meters.



OPTIONS



BOTH SIDES DISTRIBUTION (2ND SIDE)

A second side enables distribution to be carried out from both the left and right-hand sides.

The automatic hitch enables the change from one side to the other.



EXTENSION PLATE

The extension enables the hay and straw being handled to be held in the chamber.

It is strongly advised for bales of more than 1.30 m in diameter, the extension stops the material from being lost.



STRAW SPREADER KIT

The mechanical spreader kit is fitted to the side of the spreader.

It is raised and lowered manually in order to alternate between unrolling and spreading rapidly.



BOTTOM PLATE

The floor is to be found under the conveyor belt.

It enables all of the material to be kept in the unroller and eliminates any losses.



SIDE PLATES

The sides can be put on both sides of the unroller.

They enable the bale to be kept in the unroller's chamber and likewise eliminate any losses.

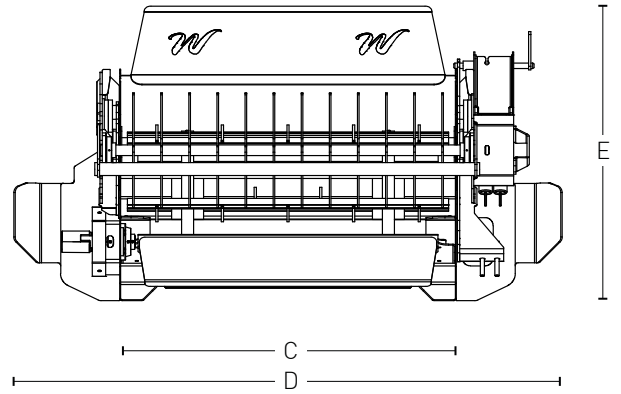
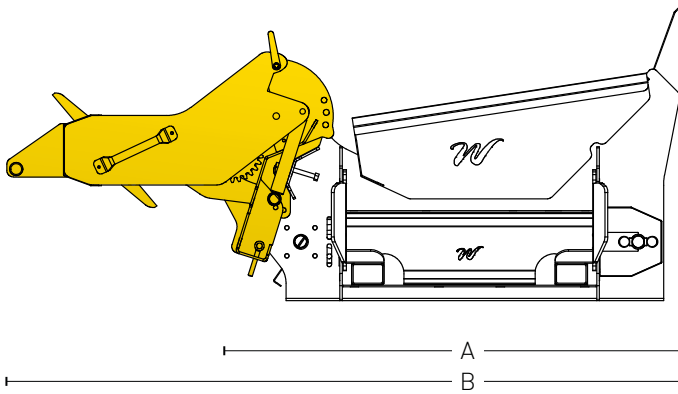


MECHANICAL DEFLECTOR

The mechanical deflector is placed on the straw spreader kit.

Manually adjustable, it allows to control the angle and distance of straw spreading.

SPECIFICATIONS



WEIGHT (including bale spike)

DE225	575 kg
2 nd side + plates	100 kg
Spreader kit	150 kg

DIMENSIONS

A	1770 mm
B	2500 mm
C	1300 mm
D	2053 mm
E	1120 mm

BALES

- ✓ Round
- ✓ Hay, silage, straw
- ✓ Up to 150 cm with extension
- ✓ Up to 800 kg

CHARACTERISTICS

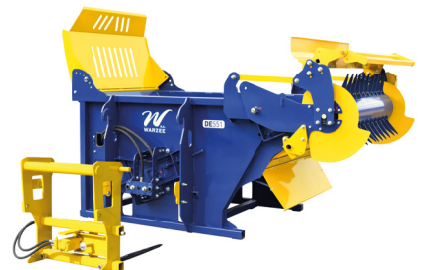
Min. 30 L/min.
Max. 170 bar

HANDLERS

Farm handlers, compact loaders, mini telescopic handlers



OUR LIVESTOCK RANGE



Warzée SA
Tige de Buresse, 95
5360 Hamois (BELGIUM)

+32 (0) 83 61 23 93
info@warzee-sa.com
www.warzee-sa.com

